



**Model 4721-15 — Partition-Mounted
Bradex®**

- Standard Series — Satin Finish
- Serves Two Compartments

Product Materials

FLANGE: 22 gauge stainless steel with exposed surfaces in architectural satin finish. One-piece seamless construction, 1" wide with ¼" return.

CABINET: 22 gauge stainless steel. All welded construction with one flange welded to cabinet.

PUSH FLAP DOOR fabricated of 22 gauge stainless steel with exposed surfaces in architectural satin finish. Heavy-duty stainless steel piano hinge. Self-closing flap door.

WASTE CONTAINER fabricated of 22 gauge stainless steel with tumbler locks keyed like other Bradley units.

Capacity

1.5 gal (0.2 cu. ft.)

Operation

Waste container removable from one side with finger grip. Furnished with waxed paper liner. Box of 500 waxed paper liners are available by ordering part number P11-022.

Installation

Verify all rough-in dimensions prior to installation. Requires partition opening 11"W x 15½"H. Location of hole and dimensions should be noted in partition specifications. Flange adjustable for partitions from ½" to 1¼" thick. Secure unit to partition with mounting screws (included) at holes provided.

- If used with an odd number of toilet compartments, use one Bradley Model 4722-15 napkin disposal on side wall of end compartment.

Guide Specification

Partition-mounted dual napkin disposal shall serve two toilet compartments and be fabricated of 22 gauge stainless steel with exposed surfaces in satin finish and burr-free beveled edges. Two self-closing push flap doors. Stainless steel receptacle with tumbler locks, removable from one side only.

Overall dimensions: 12¾"W x 17⅛"H x 4"D.



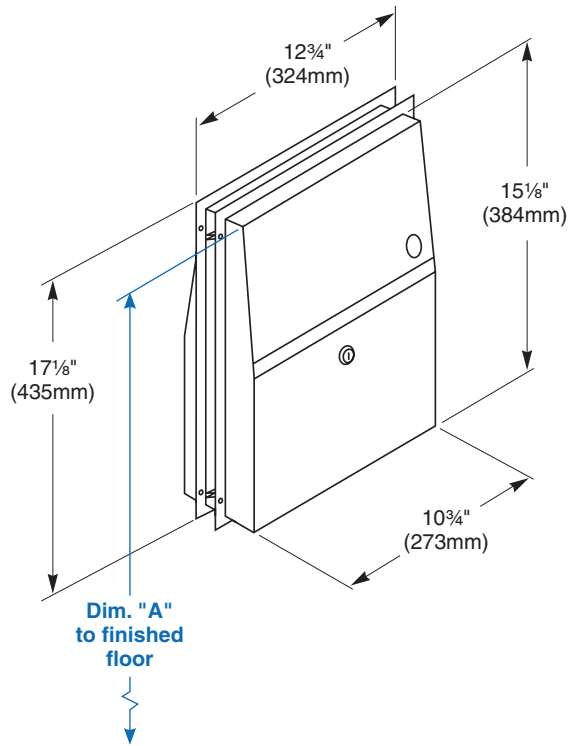
ADA Compliant

- Consult local and national accessibility codes for proper installation guidelines.
- Conformity and compliance to local and national codes is the responsibility of the installer.

Orders composed of products indicated as **Bradex®** will be available to ship in three days after receipt of order at the factory. There is no pricing penalty for this service from Bradley.



Dimensions



Dim. "A" Key Surface:	For Dim. "A"	Top of Rough Wall Opening	Bottom of Rough Wall Opening
Top of door (6" door opening) to finished floor	48" (1219mm)	48" (1219mm)	32 ⁵ / ₈ " (829mm)
	45" (1143mm)	45" (1143mm)	29 ⁵ / ₈ " (752mm)
	42" (1067mm)	42" (1067mm)	26 ⁵ / ₈ " (676mm)
	36" (914mm)	36" (914mm)	20 ⁵ / ₈ " (524mm)
	33" (838mm)	33" (838mm)	17 ⁵ / ₈ " (448mm)
Rough wall opening:			
Partition Mount:	11" (279mm) Wide x 15 ⁵ / ₈ " (391mm) High x Partition Thickness		

Orders composed of products indicated as **Bradex**® will be available to ship in three days after receipt of order at the factory. There is no pricing penalty for this service from Bradley.