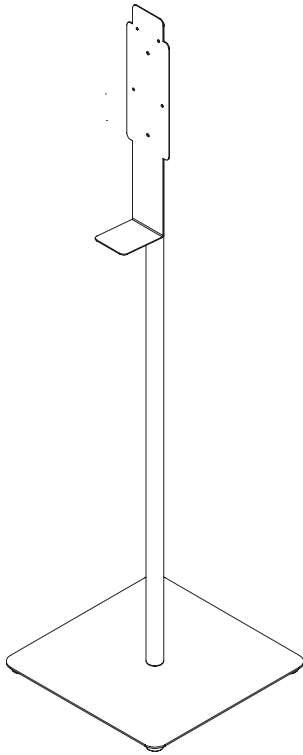


Installation

6A20 Liquid Sanitizer Dispenser Stand

Diplomat Series Soap/Sanitizer Dispensers
(6A00-11, 6A01-11, 6A02-11)



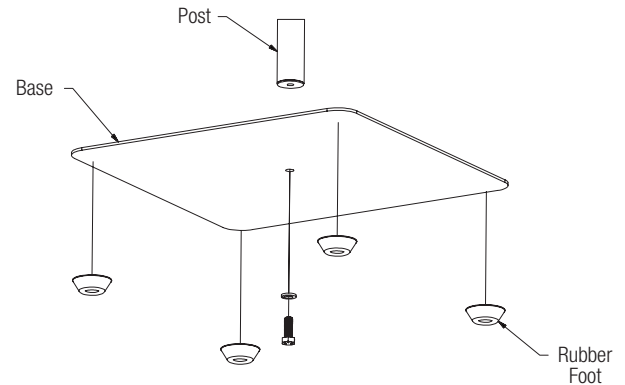
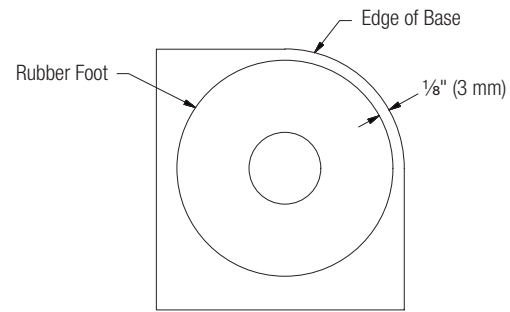
For questions regarding the operation, installation or maintenance of this product, visit bradleycorp.com or call 800.BRADLEY (800.272.3539).

Product warranties and parts information may also be found under “Resources” on our website at bradleycorp.com.

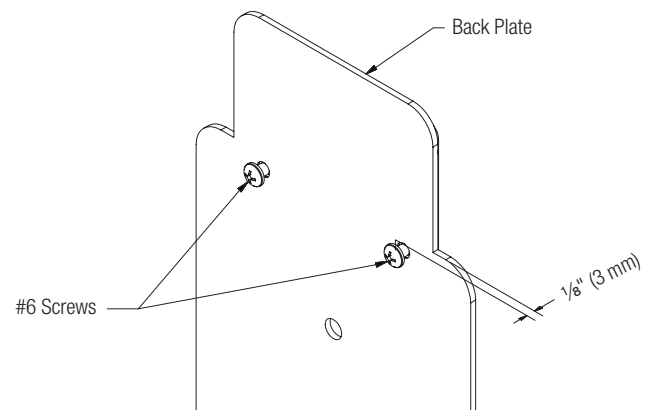


Assembly Instructions

1. Remove the backing from the rubber feet (included) and place the rubber foot in each corner of the base. Place feet $\frac{1}{8}$ " (3 mm) from the edge of the base.
2. Attach the post to the base using the bolt and washer (included). Torque the bolt to 23 ft-lb.



3. Install two #6 screws (included) into the top two mounting holes. Leave $\frac{1}{8}$ " (3 mm) between the screw head and back plate for hanging the dispenser.



4. Remove the tank from the dispenser and hang the dispenser onto the top 2 screws. Add the bottom two #6 screw. Hand tighten all four screws.
5. Replace the soap tank and place the assembled stand in the desired location. Stand and dispenser are now ready for use.



Steps 3–5 are specifically for Bradley Diplomat soap dispensers. When mounting a dispenser other than a Bradley Diplomat dispenser, refer to the mounting instructions for that dispenser.

